

# MS4502-24F Users Guide

Suisei Electronics System Co., Ltd  
6<sup>th</sup> Edition Issued June 2011

## 1. General Description

MS4502-24F is a writing target board for standard serial I/O mode used by connecting to EFP-I/1M or EFP-S2/S2V.

Reading and writing data to microcomputer 4502, 4507 groups with built-in Renesas Electronics 4 bit PROM, and QzROM of 4509 group are enabled by using MS4502-24F.

IC socket for 24-pin 0.8mm pitch SSOP (PRSP0024GA-A) (24P2Q-A) is mounted on MS4502-24F.

<Packing contents>

- 1) MS4502-24F
- 2) Users guide (this manual)

External Figure of MS4502-24F is shown in Fig 1.1

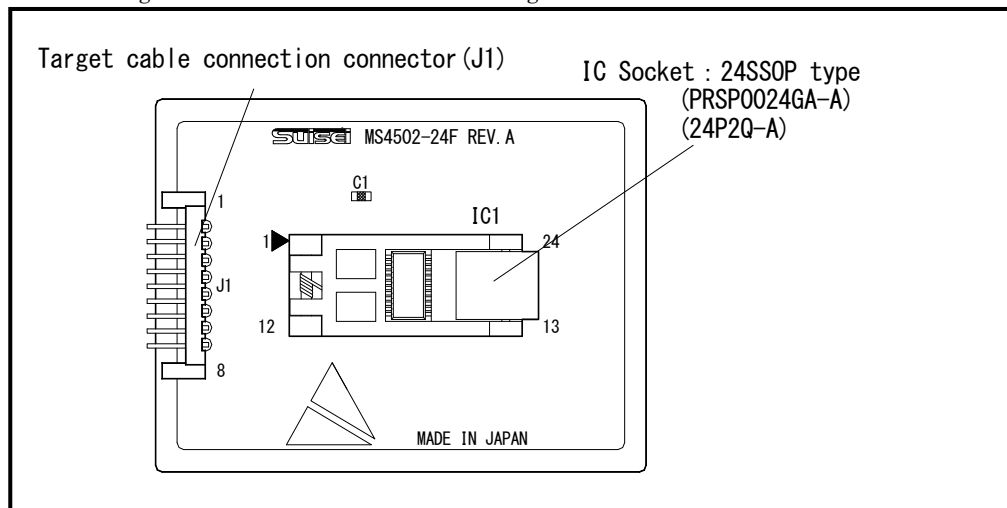


Fig 1.1 MS4502-24F External Figure

## 2. Device constitution and a connection process

### 2.1 Device constitution

Device constitution when you use MS4502-24F is shown in Fig.2.1.

Fig2.1 Device constitution

Main Body	ROM type	Unit	Cable
EFP- 1 /1M	QzROM	EF1SRP-05U	EF1TGCB-A(3-wire target connection cable)( separate sale)
	PROM	EF1SRP-01U	
EFP-S2/S2V	QzROM	EF1SRP-05U + EF1CNT-96P *1	
	PROM	EF1SRP-01U + EF1CNT-96P *1	
	PROM/QzROM	EF1SRP-01US2	

\*1) when you use EF1SRP-05U in EFP-S2/S2V, EF1CNT-96P (separate sale) is necessary.

### 2.2 Connection Process

In case MS4502-24F is used, please connect EF1TGCB-A (3-wire target connection cable) to target cable connection connector as shown in Fig.2.1.

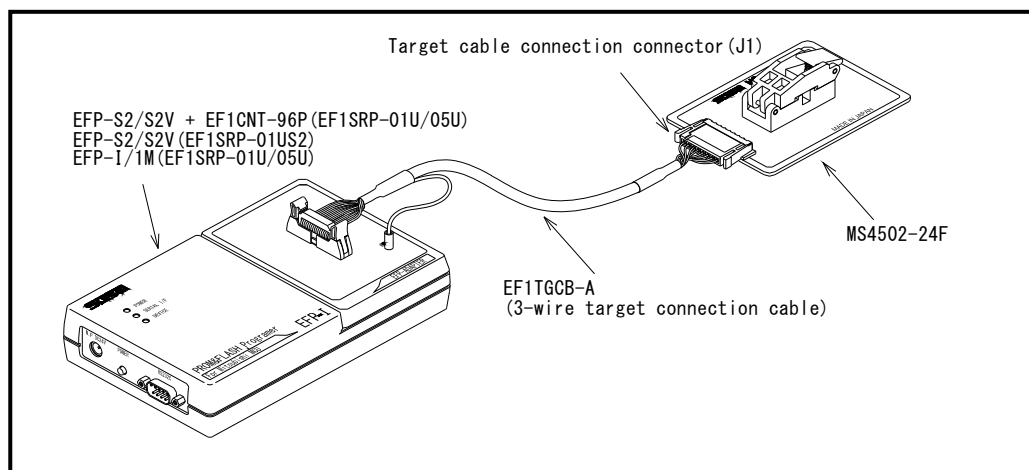


Fig.2.1 Connection with EF1TGCB-A (3-wire target connection cable)

### 3. List of Corresponding MCU and corresponding version

#### 3.1 List of Corresponding MCU

A corresponding MCU list of MS4502-24F is shown in List.1.1.

List1.1 List of Corresponding MCU of MS4502-24F

Main Body	ROM type	Device type	Corresponding MCU Name	Program Memory Area
EFP-I/1M	PROM	M345xxE4	M34502E4FP M34507E4FP	0h~FFFh
	QzROM	M3450xG4(Vdd:4.5V Vpp:7.9V)	M34509G4FP	0h~FFFh
		M345xxG4(Vdd:4.5V Vpp:7.9V)	M34571G4FP	0h~FFFh
		M3457xG6(Vdd:4.5V Vpp:7.9V)	M34571G6FP	0h~17FFh
		M3457xD(Vdd:4.5V Vpp:7.9V)	M34571GDFP	0h~3FFFh
EFP-S2/S2V	PROM	M345xxE4	M34502E4FP M34507E4FP	0h~FFFh
	QzROM	M34508/M34509G4(VDD:4~ 4.7V)	M34509G4FP	0h~FFFh
		M34571G4(VDD:4~4.7V)	M34571G4FP	0h~FFFh
		M34571G6(VDD:4~4.7V)	M34571G6FP	0h~17FFh
		M34571GD(VDD:4~4.7V)	M34571GDFP	0h~3FFFh

#### 3.2 About Software version(S/W)

The version numbers such as EFP-1 and WinEFP are displayed by [Help]→[About] in the WinEFP window menu. Please download the latest version up data on the following site when the S/W version such as EFP- I used is old.

< EFP- I S/W the latest free download site >

[http://www.suisei.co.jp/download\\_e/productdata\\_efp1\\_e.html](http://www.suisei.co.jp/download_e/productdata_efp1_e.html)

< EFP-S2 S/W the latest free download site >

[http://www.suisei.co.jp/download\\_e/productdata\\_s2\\_e.html](http://www.suisei.co.jp/download_e/productdata_s2_e.html)

< EFP-S2V S/W the latest free download site >

[http://www.suisei.co.jp/download\\_e/productdata\\_s2\\_e.html](http://www.suisei.co.jp/download_e/productdata_s2_e.html)

#### Note on Corresponding Versions

Above corresponding versions might change without notice on account of the future capability improvement, etc. Furthermore in case the upgrade procedure manual is attached when this product is purchased, please refer to that manual as a priority.

#### 4. Insertion Direction of MCU and cleaning of IC socket

##### 4.1 Insertion Direction of MCU

When MCU is inserted, No.1 pin of the IC socket on MS4502-24F and MCU's No.1 pin should be connected. The Wrong insertion would cause a serious breakage of MCU.

Insertion direction of MCU is shown in Fig 4.1.

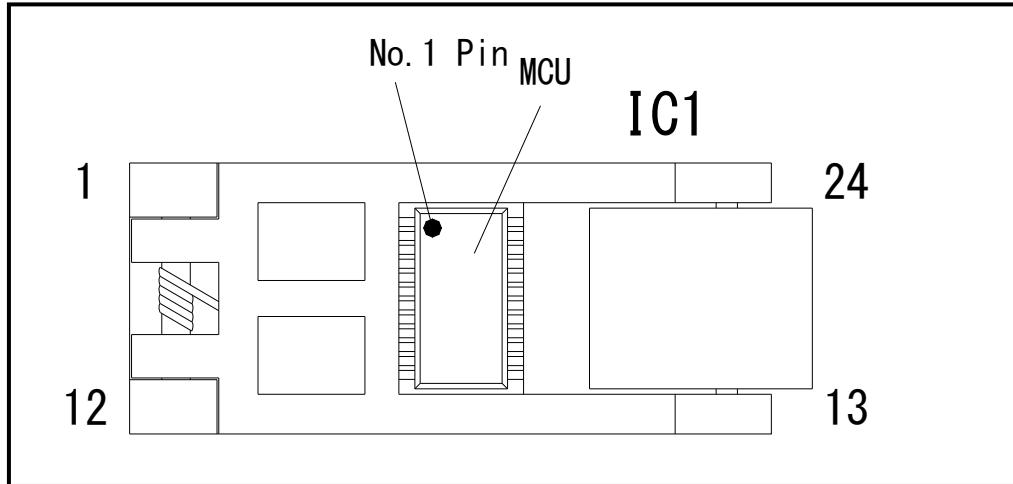


Fig 4.1 Insertion Direction of MCU

##### 4.2 Cleaning of IC Socket

A contact pin inside of the IC socket of the MCU unit might deteriorate and a contact failure might occur because of the number of times used and its age of service. As the contact failure may cause incorrect writing of MCU and malfunction of the writer, please take the below measures.

#### Measures against IC Socket Contact Failure

- (i) Please clean the contact pin surface inside of IC socket with a brush, etc. regularly, depending on the number of times used.
- (ii) If the product is not to be used for a long period, please keep it with less humidity in a plastic bag, etc.

Though enquiries on contact failures can be made, we regard IC sockets as consumable supplies. We may recommend you to replace them if a contact failure of IC socket occurs due to its use deterioration.

#### 【Recommended item for cleaning】

About the cleaning of the contact pin in the IC socket, we recommend the use of the nanotech brush (Kita Mfg Co., Ltd).

The nanotech brush can remove the dirt which stuck to a contact pin, a very small amount of metastasis of solder. When a contact poor problem occurred, please try it.

About nanotech brush, please ask us or Kita Mfg Co., Ltd (refer to the following site).

Nanotech brush (Kita Mfg Co., Ltd.) [http://www.kita-mfg.com/pro\\_nanotech\\_e.html](http://www.kita-mfg.com/pro_nanotech_e.html)

## 5. List of Pin Connection

Connector terminal names target cable connection connector (J1) of MS4502-24F is shown in List 5.1.

List 5.1 Terminal List of target connection connector (J1)

Pin No.	Terminal Name	I/O (writer side)	Pin No.	Terminal Name	I/O (writer side)
1	BUSY	Input	5	SDA	I/O
2	VPP	Output	6	PGM/OE	Output
3	VDD	Output	7	RESET	Output
4	SCLK	Output	8	GND	—